

13.00

VERTICAL CONNECTIONS

Hunter Underground Systems

- 13.01** Connection of Internal Waste Pipe
- 13.02** Connection of Internal Rainwater
Soil/Waste Pipe
- 13.03** Connection of External Hunter Half
Round Rainwater Pipe
- 13.04** Connection of external Rainwater Pipe
- 13.05** Connection to a 110mm Hunter
Drain Socket
- 13.06** Connection of internal Waste Pipes to
Underground Drain (Figure 1)
- 13.07** Connection of internal Rainwater
Soil/Waste Pipe (Figure 2)

13.00

Vertical Connections

13.01 CONNECTION OF INTERNAL WASTE PIPE

Fit a reducer (S264) into the socket of a Short Radius Bend. The moulded socket must be fitted with the appropriate boss adaptor.

When installing the bend at a deeper level fit the reducer (S264) into a Coupler and connect the Coupler to the necessary length of pipe. Fit the pipe into the socket of the Short Radius Bend.

(See figure 1).

13.02 CONNECTION OF INTERNAL RAINWATER SOIL/WASTE PIPES

To connect internal 110mm PVCu soil pipe to a drain, push the pipe spigot into the socket of a Long Radius Bend. (See figure 2) Alternatively, to connect 110mm PVCu rainwater pipe to a drain push the pipe spigot into the socket of a Short Radius Bend.

To connect 82mm rainwater or soil pipe to drain, fit a 110mm x 82mm Reducer to the socket of a Radiused Bend. When installing either Long or Short Radius Bends at a deeper level, fit a Coupler and a short length of pipe to the installation.

13.03 CONNECTION OF EXTERNAL HUNTER HALF ROUND RAINWATER PIPE

Fit a reducer (R3) over the spigot of a short length of pipe. Fit the other end of the pipe into a socket of a Short Radius Bend. Fit the end of the 68mm Half Round Rainwater Pipe into the socket of the reducer. Neither lubrication nor solvent welding is necessary.

13.04 CONNECTION OF EXTERNAL RAINWATER PIPES

The Multi Rainwater Adaptor (DS24) can be used in many types of applications, ie for connecting both circular, square and profiled rainwater pipes up to 82mm and waste pipes up to 50mm. However, it is recommended that the Adaptor is only used in external situations.

Installation of the Multi Rainwater Adaptor to a 110mm Hunter Spigot.

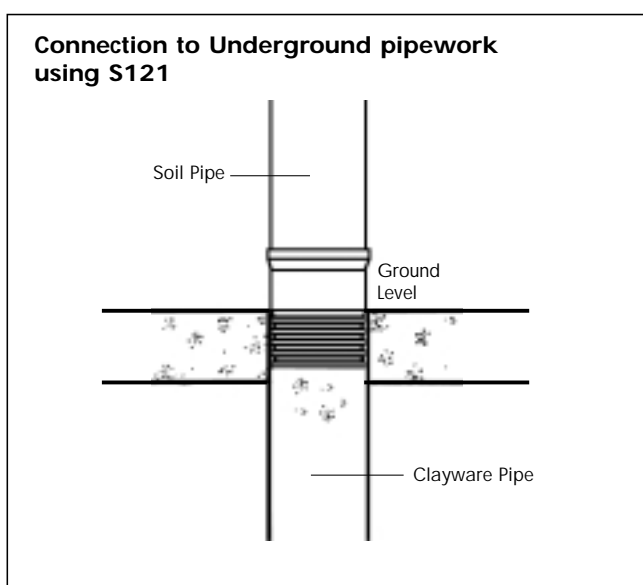
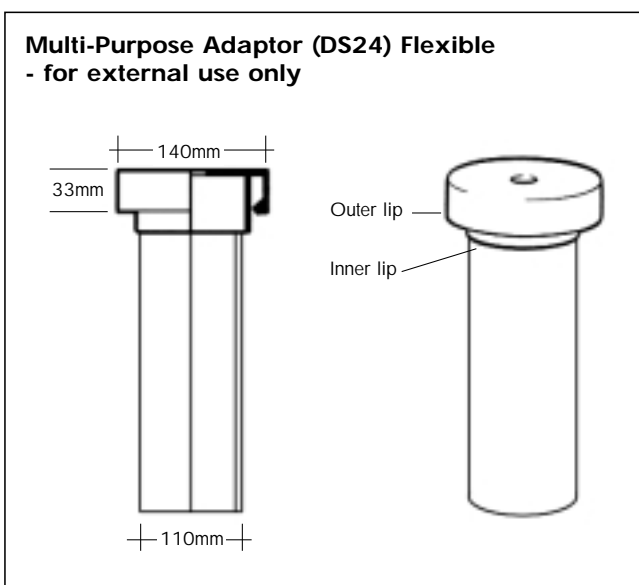
1. Check that the pipe has a straight edge and is free from swarf.
2. Fit the Adaptor over the spigot ensuring that both lips are located on the outside of the pipe spigot.

13.05 CONNECTION TO A 110mm HUNTER DRAIN SOCKET.

1. It is not necessary to remove the snap cap and sealing ring from the socketed component.
2. Turn the Adaptor inside out.
3. Fit the Adaptor, ensuring that the outer lip is located on the outside of the socket, with the inner lip located within the socket itself.

13.06 CONNECTION USING 110mm UNIVERSAL PIPE CONNECTOR

Hunters S121 has a finned tail and provides direct connection to plastic, clayware or cast iron pipework and is ideal for repair and refurbishment projects.

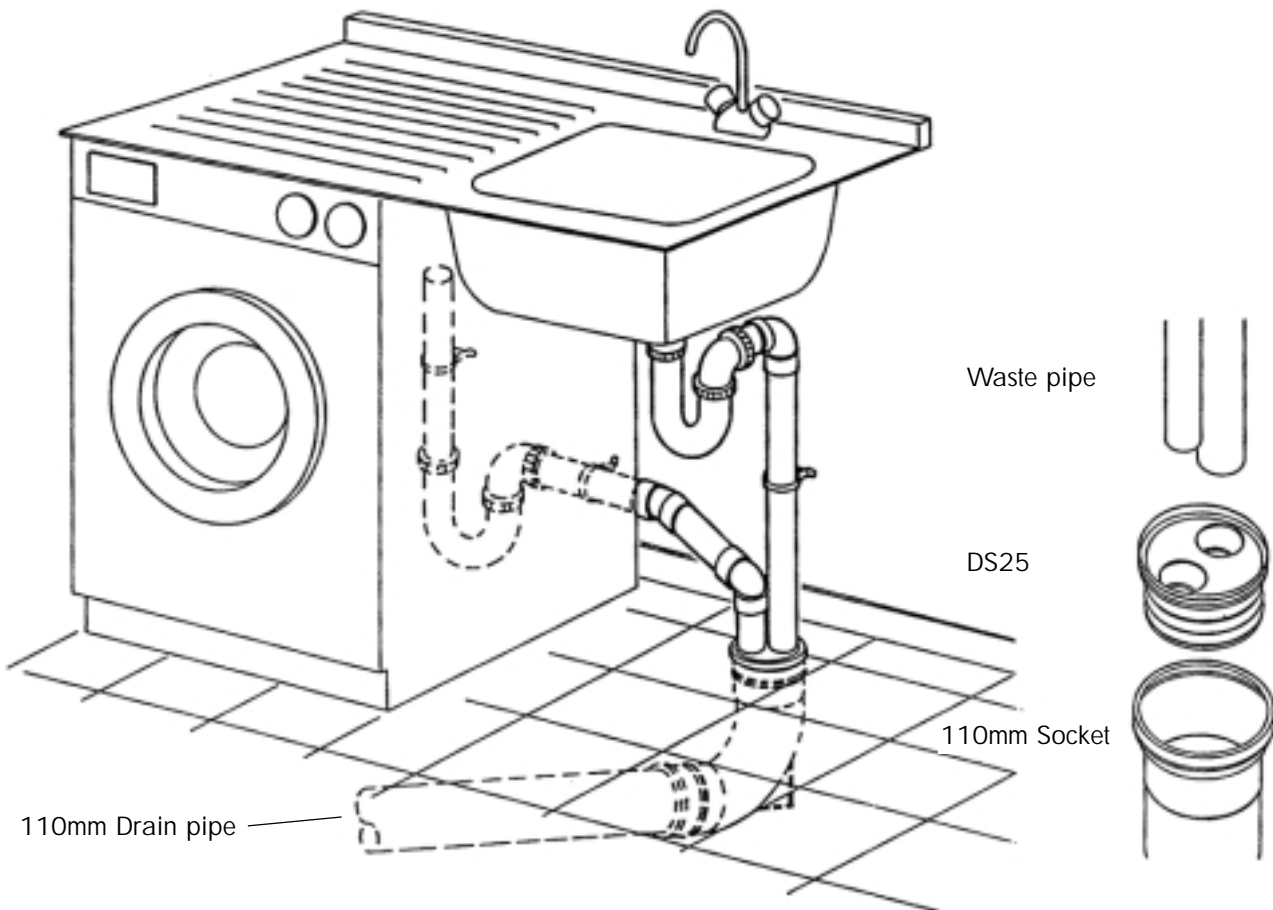


13.00

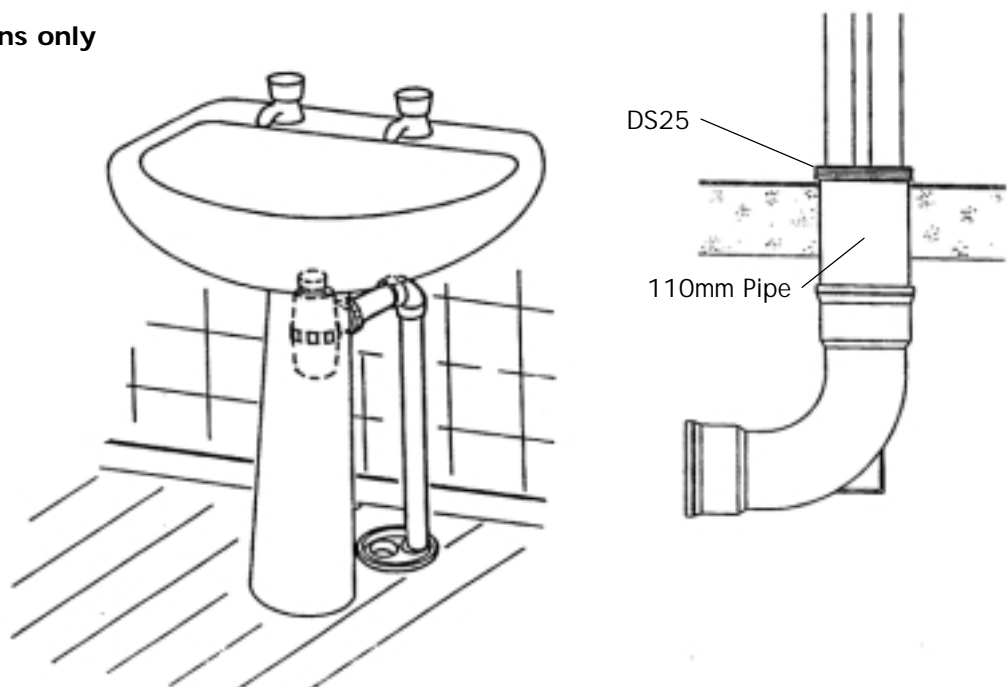
Vertical Connections

13.06 FIGURE 1. CONNECTION OF INTERNAL WASTE PIPES TO UNDERGROUND DRAIN

The DS25 will accept two waste pipes of either 32mm to 40mm diameter. It is made from flexible EPDM and manufactured with one inlet open and one closed. The closed inlet can be opened with a sharp knife. The DS25 can be fitted into a drain socket by replacing the existing ring seal, or inside the bore of 110mm drain pipe, see the illustrations.



Ground floor installations only



13.00

Vertical Connections



13.07 FIGURE 2. CONNECTION OF INTERNAL RAINWATER SOIL/WASTE PIPE

Detail showing 110mm soil pipe and drain pipe connecting into a long radius rest bend (DS663)

