

# 11.00

# HANDLING AND STORAGE

## Hunter Rainwater Systems



### 11.00 HANDLING AND STORAGE

Handling

Storage

Loose pipe

Spigot and socketed pipe

Fittings

Safety Tips

# 11.00 Handling and Storage

## HANDLING

PVCu pipes are very strong, but having said that care should be taken when handling to avoid damage, such as scratching or scoring. Not only does this affect the look of pipework but can also affect the jointing of the push-fit or solvent weld fittings. In extreme cold conditions extra care should be taken, because extreme conditions reduce the impact strength of most plastics.

Pipes should be loaded by hand if possible, but if mechanical means are used then protected slings are recommended. In addition, when unloading block bundles use nylon belt type slings or fork lift trucks with smooth forks (metal hooks, slings or chains must not come into contact with the pipes).

## STORAGE OF PIPE 110mm DIA AND LARGER

For on-site storage, lay pipes on flat ground, free from large or sharp objects - or preferably on timber battens not less than 75mm wide spaced at a maximum of 1 m centres. In addition, side support should also be provided at intervals of not more than 1.5 m. Block bundles can be stored up to three high without extra side supports or bearers. Extra care should be taken when removing pipe from bundles as the straps are under extreme tension and may move erratically when cut.

## LOOSE PIPE 110mm DIA AND LARGER

Different sized pipe should be stacked separately. If this is not possible we recommend that larger sized diameter pipe should be stacked at the bottom, not more than seven layers high or to a maximum height of 2 m.

## SPIGOT AND SOCKETED PIPE

Spigot and socket pipes should be stacked with sockets protruding and at alternate ends to ensure even support along their length.

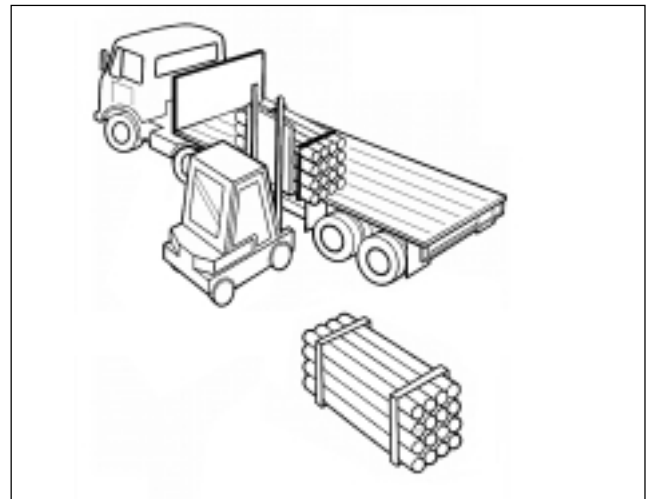
## SPIGOT AND SOCKETED PIPE

Spigot and socket pipes should be stacked with sockets protruding and at alternate ends to ensure even support along their length.

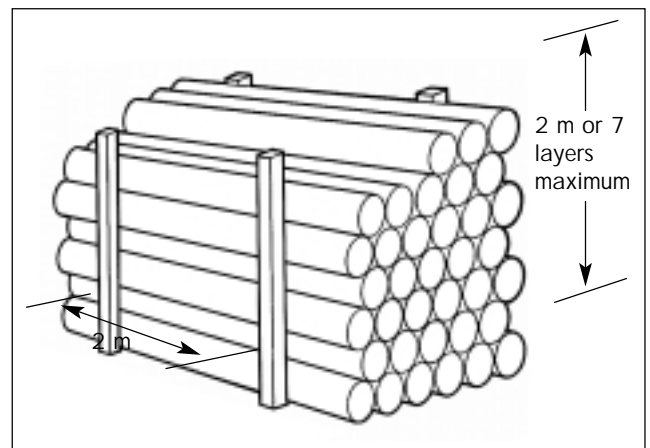
## STORAGE OF GUTTER FITTINGS

Eaves gutters and small diameter rainwater pipe must be laid on a continuous smooth and level base. Stacks of gutter and pipe must not exceed 1.25 metres in height.

Bags of fittings or wrapped bundles of gutter and pipe must never be stored in direct sunlight or unventilated space but must be stored in a cool, dry place. Whilst wrapped, direct sunlight or hot unventilated places can cause the temperature of materials to rise and in extreme conditions can result in distortion.



Handling block bundles



Loose pipe storage on the ground

